

Screw capping head and bottle tools for FC10 and FC32

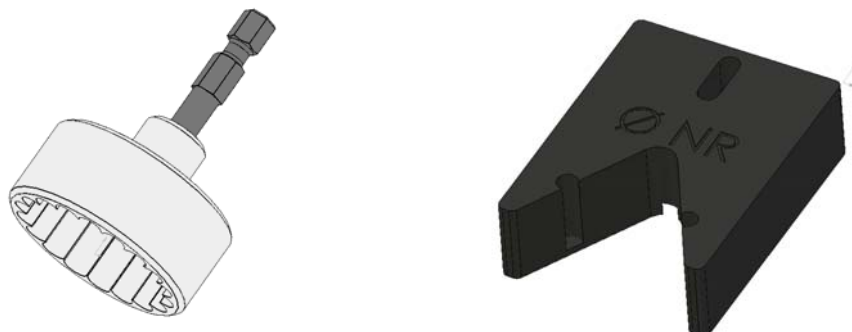


Sales manual

Rev.: 03

2008-06-26

AEF



FC10

Part number	Description	Material
89-110-010	Cap tool – customized for a specific cap	AISI 304
89-110-050	Bottle tool – customized for a specific bottle	POM
89-110-054	Bottle tool Ø12-Ø18	POM
89-110-055	Bottle tool Ø18-Ø27	POM
89-110-056	Bottle tool Ø27-Ø40	POM
89-110-057	Bottle tool Ø40-Ø57	POM

FC32

Part number	Description	Material
89-110-010	Cap tool – customized for specific cap	AISI 304
89-115-051	Bottle tool – Ø90-100	POM
89-115-052	Bottle tool – Ø70-90	POM
89-115-053	Bottle tool – Ø44-70	POM
89-115-054	Bottle tool – Ø24-44	POM
89-115-055	Bottle tool – Ø15-24.5	POM
89-115-050	Bottle tool customized for bottle with special shape	POM

Springs for FC10 and FC32

Part number	Adjustable torque ranges of FC10/32	
52-101-001	Black spring 1-4 Nm (standard)	A suitable spring will be mounted in the FC machine and tested by Flexicon
52-101-002	Yellow spring 0.9-1.8 Nm	
52-101-003	Green spring 0.5-1.0 Nm	
52-101-004	Red spring 0.3-0.5 Nm	

- For each size and type of screw cap a customized cap tool is necessary.
- For bottles with a height less than 55mm a “bottle pocket” will be supplied with the machine.
- With the order, please send samples of bottles and caps to Flexicon for testing prior to shipment. Moreover, Flexicon needs tolerance drawings of the caps in order to manufacture the capping tools.

Crimp head and bottle tool for FS10 and FS32

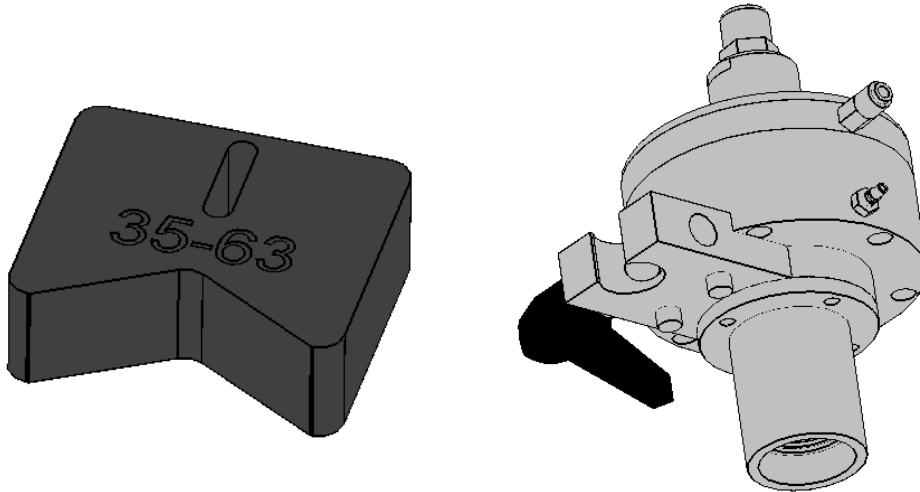


Sales manual

Rev.:02

2008-06-26

AEF



Part number	Description	Material
89-100-051	Bottle tool for FS10, Ø14 mm – 38 mm	POM
89-100-052	Bottle tool for FS10, Ø35 mm – 63 mm	POM
89-100-053	Bottle tool for FS10, Ø57 mm – 73 mm	POM
89-100-050	Bottle tool - special size for FS10	POM
89-100-105	Crimp head DIN 13 mm standard cap	-
89-100-106	Crimp head DIN 13 mm flip-off	-
89-100-107	Crimp head DIN 20 mm standard cap	-
89-100-108	Crimp head DIN 20 mm flip-off	-
89-100-109	Crimp head DIN 32 mm std/flip-off (only for FS32)	-
89-100-110	Crimp head for special size of crimp cap	-
89-120-051	Bottle tool for FS32, Ø20 mm – 51 mm	POM
89-120-052	Bottle tool for FS32, Ø45 mm – 76 mm	POM
89-120-053	Bottle tool for FS32, Ø70 mm – 97 mm	POM
89-120-050	Bottle tool - special size for FS32	POM
89-100-055	Pocket for vials with height less than 55mm or a vials with a very small diameter	POM

- For each size and type of crimp cap an individual crimping head is applied. It is made to suit the specific cap.
- Three standard bottle tools are used for bottle diameters as described above. For other shapes of bottles, a bottle tool is specially made to suit the bottle in question.
- With the order, please send samples of vials stoppers and caps to Flexicon for testing prior to shipment.