

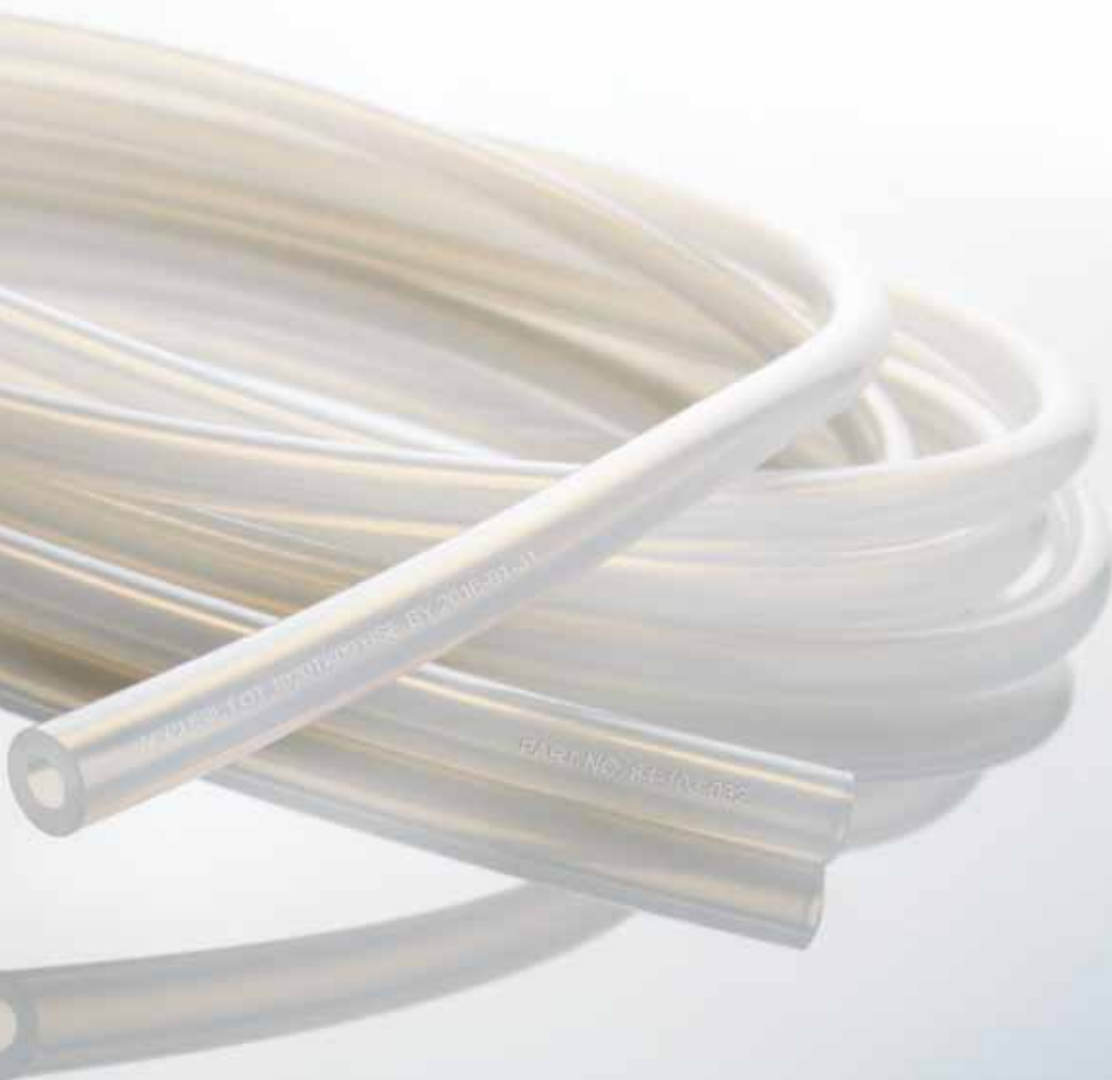
## ACCUSIL™ tubing

PLATINUM-CURED SILICONE - FOR ACCURATE DISPENSING

- Excellent dispensing accuracy of  $\pm 0.5\%$
- Full biopharmaceutical compliance with USP Class VI, Ph. Eur. 6.8 Chapter 3.1.9, ISO 10993 and FDA CFR 177.2600
- 100% traceability with laser-etched part-number, lot number and use-by date
- Cleanroom manufactured in an ISO 14644-1 Class 7 environment
- Double-bagged for protection against contamination



WORLD LEADERS IN ASEPTIC PERISTALTIC FILLING





www.wmflexicon.dk  
Member of the Watson-Marlow Pumps Group

## ACCUSIL™ TECHNICAL SPECIFICATIONS

Dispensing volume in ml*	Part number	Bore mm (inch)	Wall mm (inch)	Length m (ft)
< 0.5	84-103-005	0.5 (1/60)	1.6 (1/16)	10 (32.8)
0.5 - 1.0	84-103-008	0.8 (1/32)	1.6 (1/16)	10 (32.8)
1.0 - 1.7	84-103-012	1.2 (3/64)	1.6 (1/16)	10 (32.8)
1.7 - 7.0	84-103-016	1.6 (1/16)	1.6 (1/16)	10 (32.8)
7.0 - 12.0	84-103-032	3.2 (1/8)	1.8 (1/14)	10 (32.8)
12.0 - 22.0	84-103-048	4.8 (3/16)	2.0 (10/127)	10 (32.8)
22.0 - 35.0	84-103-060	6.0 (1/4)	2.1 (10/127)	10 (32.8)
> 35.0	84-103-080	8.0 (5/16)	2.2 (7/32)	10 (32.8)

\* (For optimum dispensing accuracy and speed. Based on dispensing of viscosity like water)

Accurate and consistent dispensing requires having the right tubing inside the right pump. ACCUSIL™ is manufactured in our state-of-the-art extrusion facility to the highest quality, with a consistent wall thickness and a specific hardness for optimal tubing restitution.

### ACCUSIL™ fulfills biopharmaceutical requirements and is ideal for single-use filling

- Full biopharmaceutical compliance with USP Class VI, Ph. Eur. 6.8 Chapter 3.1.9, ISO 10993 and FDA CFR 177.2600.
- Validation pack available
- 100% traceability with laser-etched part number, lot number and use-by date
- Lot specific certificate of conformance in each box and accessible online
- Manufactured in an ISO 14644-1 Class 7 environment at state-of-the-art tubing production facility
- Double-bagged for protection against contamination
- Post-cured after extrusion for superior purity
- Fully sterilisable by gamma radiation, autoclave or ethylene oxide
- Animal Derived Content Free - ADCF

### Reduce your costs and increase your productivity with ACCUSIL™

- Excellent filling accuracy on PF6 and PD12 peristaltic pumps
- Peristaltic filling technology provides fast and easy changeover between liquids to be filled
- Cross-contamination between liquids to be filled is prevented
- Enhanced safety as contact between liquid and operator can be avoided
- No waste water from cleaning process, if applied as 'single-use fluid path'
- Five years shelf life



### Watson-Marlow Flexicon on-line:

Our engineers can help you choose the perfect filling equipment for ACCUSIL™ tubing.



Packed for protection against contamination and UV light



Mechanical properties of ACCUSIL™ are adapted for use on PD12 and PF6 peristaltic pump heads



Our fully validated production facility provides a unique product quality



Easy set-up on high capacity filling lines provides a fast changeover and reduces product waste

**Tube for  
PF6 / PD12 / FP50 / FPC50**

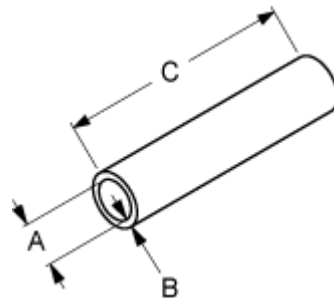


Sales manual

Rev.: 05

25.02.2011

AEF



Part number	Description	A (ID) (mm)	B (wall thickness) (mm)	C (length) (m)
84-103-005	ACCUSIL™ Platinum cured silicone tubing	0.5	1.6	10
84-103-008	ACCUSIL™ Platinum cured silicone tubing	0.8	1.6	10
84-103-012	ACCUSIL™ Platinum cured silicone tubing	1.2	1.6	10
84-103-016	ACCUSIL™ Platinum cured silicone tubing	1.6	1.6	10
84-103-032	ACCUSIL™ Platinum cured silicone tubing	3.2	1.8	10
84-103-048	ACCUSIL™ Platinum cured silicone tubing	4.8	2.0	10
84-103-060	ACCUSIL™ Platinum cured silicone tubing	6.0	2.1	10
84-103-080	ACCUSIL™ Platinum cured silicone tubing	8.0	2.2	10
84-105-008	Pharmed tubing	0.8	1.6	1
84-105-016	Pharmed tubing	1.6	1.6	1
84-105-032	Pharmed tubing (32-152-100)	3.2	1.6	1
84-105-048	Pharmed tubing (32-152-101)	4.8	1.6	1
84-105-060	Pharmed tubing (32-152-102)	6.0	1.6	1
84-105-080	Pharmed tubing (32-152-103)	8.0	1.6	1
84-301-005	Silicone tubing	0.5	1.6	5
84-301-008	Silicone tubing	0.8	1.6	5
84-301-012	Silicone tubing	1.2	1.6	5
84-301-016	Silicone tubing	1.6	1.6	5
84-301-032	Silicone tubing	3.2	1.6	5
84-301-048	Silicone tubing	4.8	2.0	5
84-301-060	Silicone tubing	6.0	2.0	5
84-301-080	Silicone tubing	8.0	2.0	5
84-301-200	Set of silicone tubing from 84-301-005 to 84-301-080			
84-311-008	Silicone tubing	0.8	1.6	25
84-311-016	Silicone tubing	1.6	1.6	25
84-311-032	Silicone tubing	3.2	1.6	25
84-311-048	Silicone tubing	4.8	2.0	25
84-311-060	Silicone tubing	6.0	2.0	25
84-311-080	Silicone tubing	8.0	2.0	25

- Material certificate is supplied with all tubing, except for the pharmed tubing.
- Tube locks for 3.2 – 4.8 – 6.0 and 8.0 pharmed tubing are not supplied together with the peristaltic dispenser. Part numbers for tube locks are mentioned in the brackets.

# Tube for PF22 / PD22

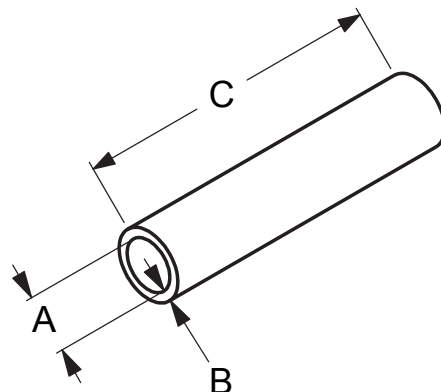
**Flexicon**  
Liquid Filling

Sales manual

Rev.: 04

25.02.2011

AEF



Tube for PF22 / PD22 – Part number	Description	A (ID) (mm)	B (wall thickness) (mm)	C (length) (m)
84-401-030	Silicone tube	3.0	3.5	5
84-401-050	Silicone tube	5.0	3.5	5
84-401-065	Silicone tube	6.5	3.5	5
84-401-080	Silicone tube	8.0	3.5	5
84-401-100	Silicone tube	10.0	3.5	5
84-401-125	Silicone tube	12.5	3.5	5
84-205-060	Pharmed tube	6.4	3.2	1
84-205-100	Pharmed tube	9.6	3.2	1
84-205-140	Pharmed tube	12.7	3.2	1

- Material certificate is supplied with the product, except for the pharmed tubes.

# Tube for GD30 / DF32

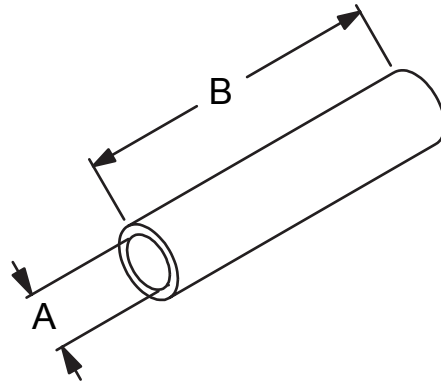
**Flexicon**  
Liquid Filling

Sales manual

Rev.: 04

25.02.2011

AEF



Tube for GD30 / DF32 – Part number	Description	A (ID)	B (length) (m)
84-100-050	Armed PVC tube	0.50"	Please specify required length upon order!
84-100-075	Armed PVC tube	0.75"	
84-100-100	Armed PVC tube	1.00"	