

Y-connector w. certificate

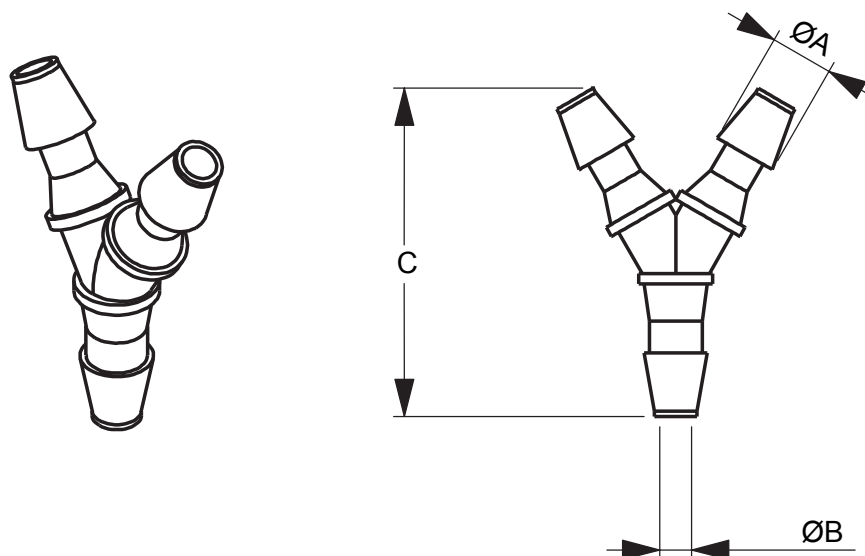
WATSON
MARLOW
Flexicon

Sales manual

Rev.: 02

26.06.2008

AEF



| Y-connector with certificate – Part number | A (OD) (mm) | B (ID) (mm) | C (mm) | For ID tube (mm) |
|--|-------------|-------------|--------|------------------|
| 84-011-002 | 2.4 | 1.2 | 12.3 | 0.5 – 0.8 |
| 84-011-004 | 3.6 | 1.8 | 18.5 | 1.2 – 1.6 |
| 84-011-006 | 5.9 | 3.0 | 30.8 | 3.0 – 3.2 |
| 84-011-008 | 7.2 | 3.6 | 36.9 | 3.2 – 4.8 |
| 84-011-010 | 9.5 | 4.8 | 49.2 | 4.8 – 6.5 |
| 84-011-012 | 12.4 | 7.5 | 62.4 | 8.0 – 10.0 |
| 84-011-014 | 15.9 | 10.2 | 79.2 | 10.0 – 12.5 |

- Material: Polypropylene

- The above product numbers includes 10 Y-connectors packed in bags and a certificate