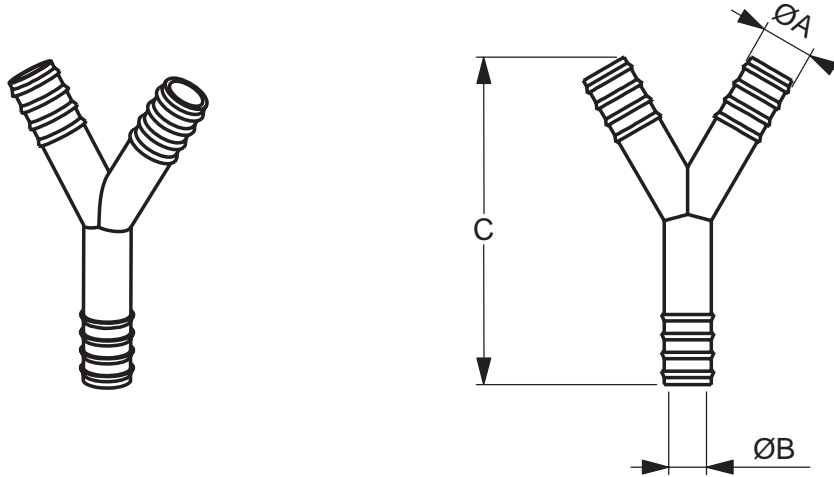


Y-connector



Y-connector - Part number	A (OD) (mm)	B (ID) (mm)	C (mm)
84-000-016	2.3	1.2	12.4
84-010-004	4.0	2.0	23.2
84-010-006	6.0	2.7	35.3
84-010-008	8.0	4.6	52.8
84-010-010	10	5.5	63.6
84-010-012	12	7.3	73.6
84-010-014	14	9.7	85.4

- When choosing the Y-connector, the ID should be similar to the ID of the tubing
- Material: Polypropylene
- The above product numbers includes one piece